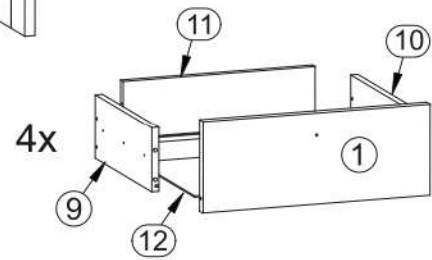
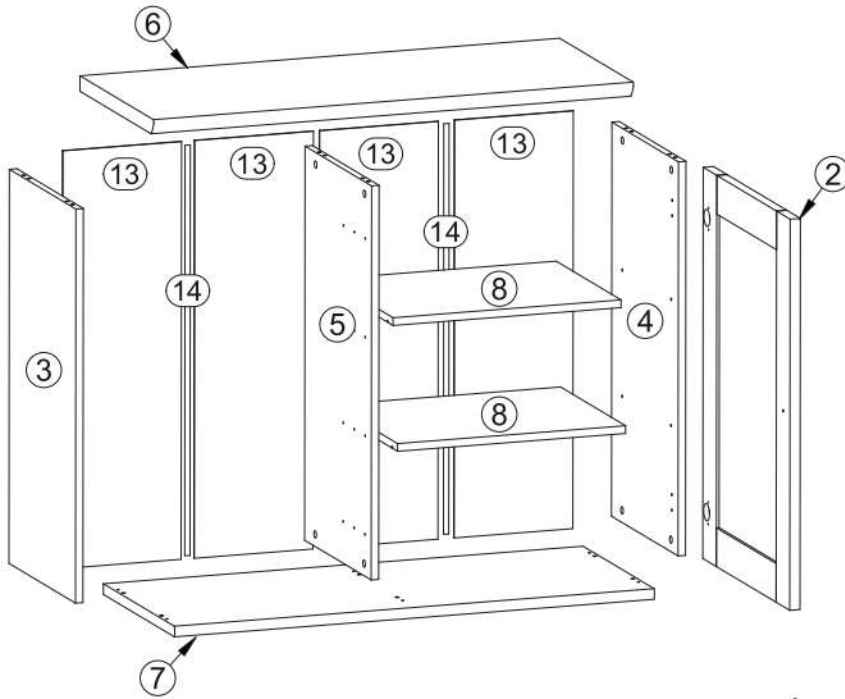
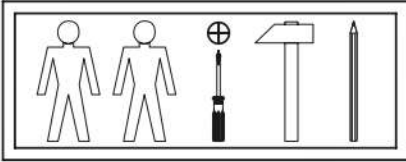


TEINA KOM4S1D

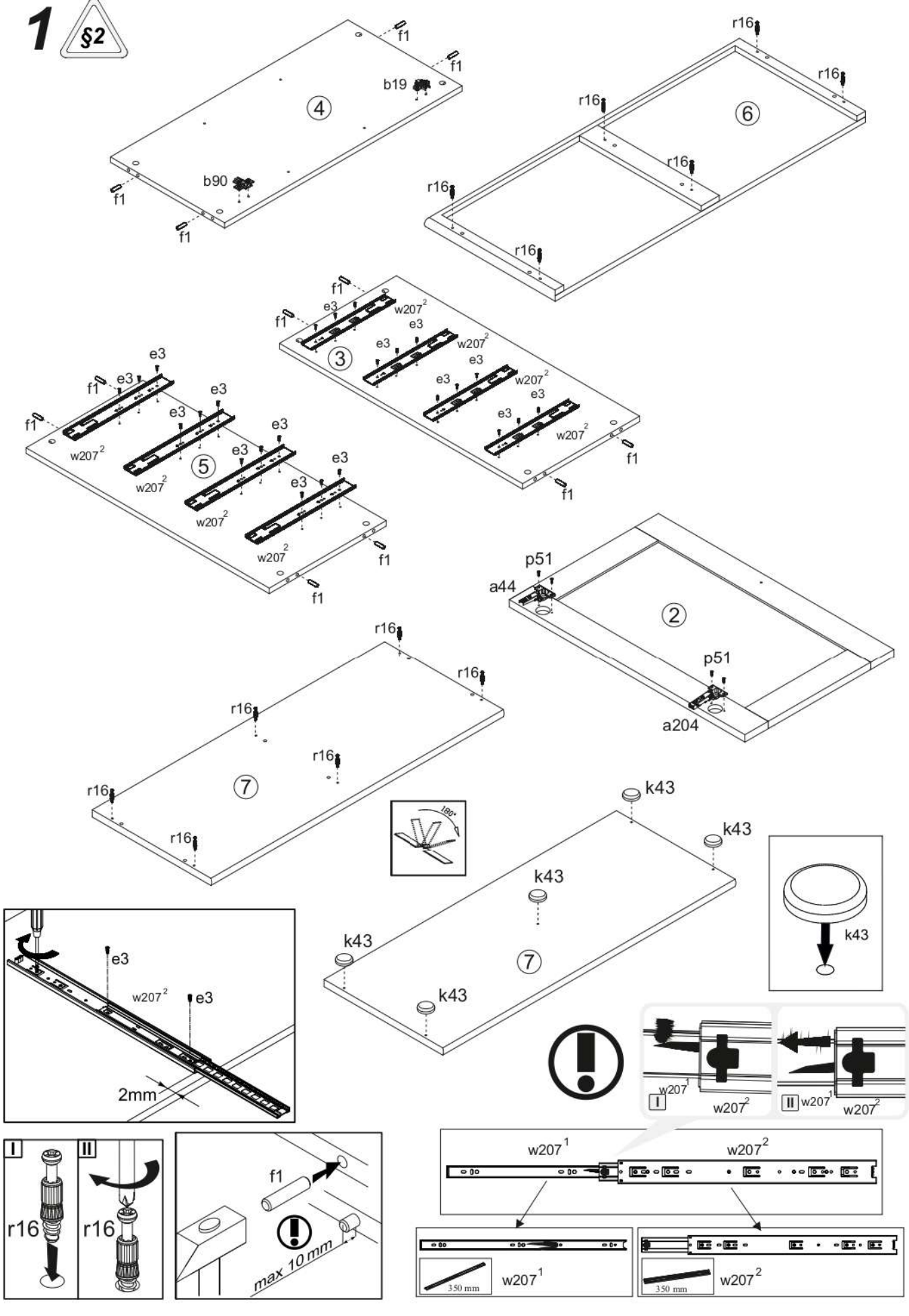


	A	B	C	D
1	S239-0016	511	200	3/3
2	S239-0008	809	511	3/3
3	S239-1013-01	815	392	2/3
4	S239-1015	815	392	2/3
5	S239-1016-01	815	392	2/3
6	S239-2007	1031	435	1/3
7	S239-2008	1031	421	1/3

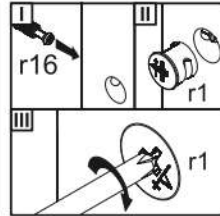
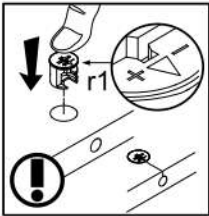
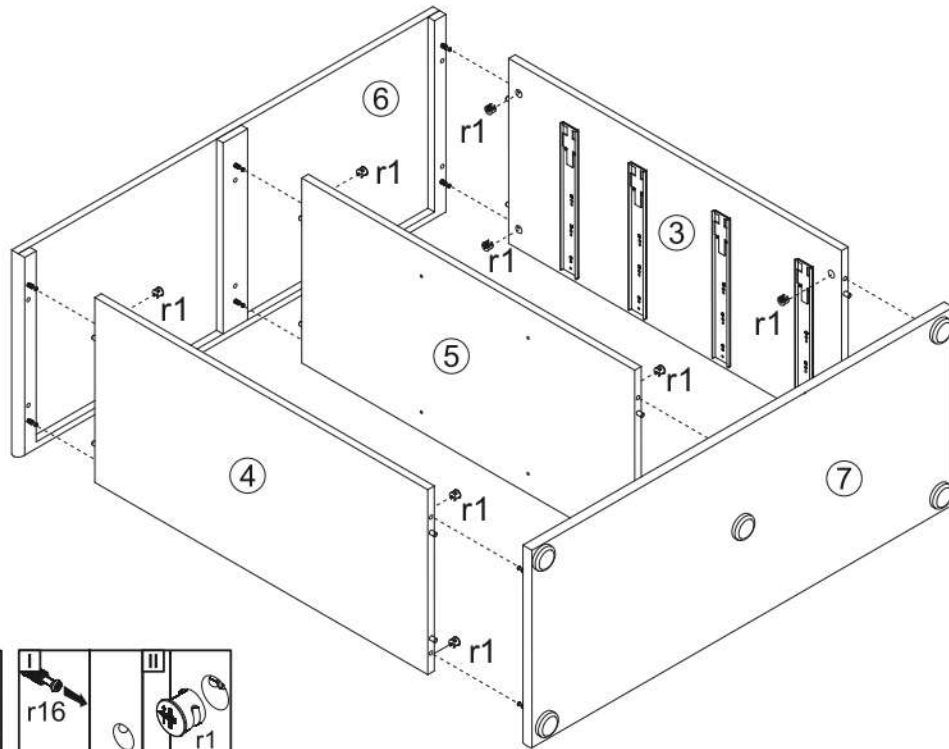
	A	B	C	D
8	S239-3004	490	382	2/3
9	WSQ4-505-01	350	140	2/3
10	WSQ4-506-01	350	140	2/3
11	WTQ-5070	433	140	2/3
12	S239-9068	448	349	1/3
13	S239-9504	864	255	1/3
14	LH-830	830	14	1/3

1x K0 a44	1x a204	1x b19	1x D2 b90	5x c415	8x φ5x17 mm d1
24x φ6x13 mm e3	16x φ5x50 mm e32	12x φ8x30 mm f1	5x M4x28 mm j11	5x φ48\10mm k43	45x l1
1x n26\1	6x n108	1x φ3,5x16 mm p38	4x φ3,5x15 mm p51	6x φ2,9x16 mm p55	24x φ3,5x12 mm p140
28x φ15x12mm #16 r1	28x 20/9 r16	22x φ16 s2	8x 350 mm w207 ¹	8x 350 mm w207 ²	1x 1x

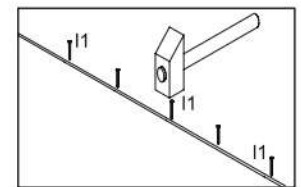
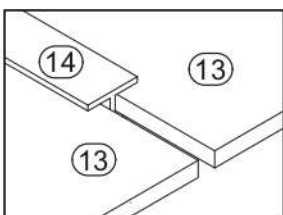
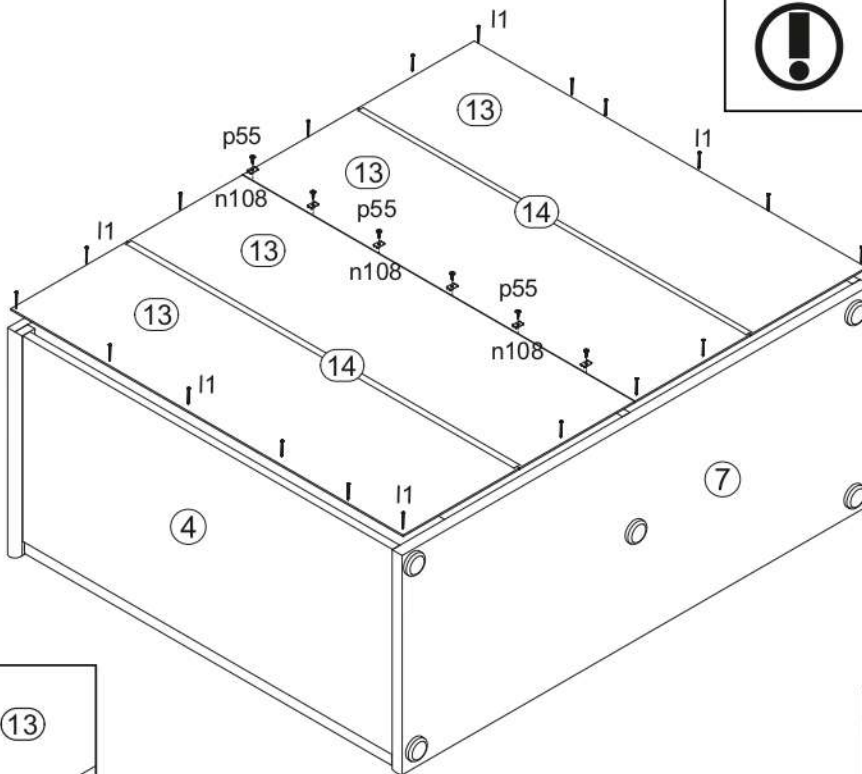
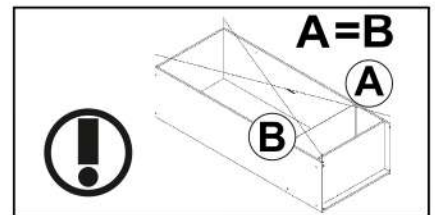
1



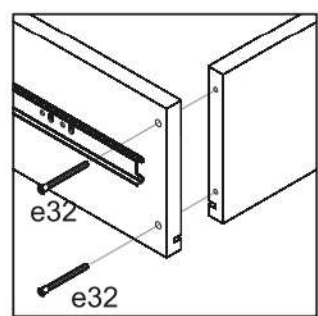
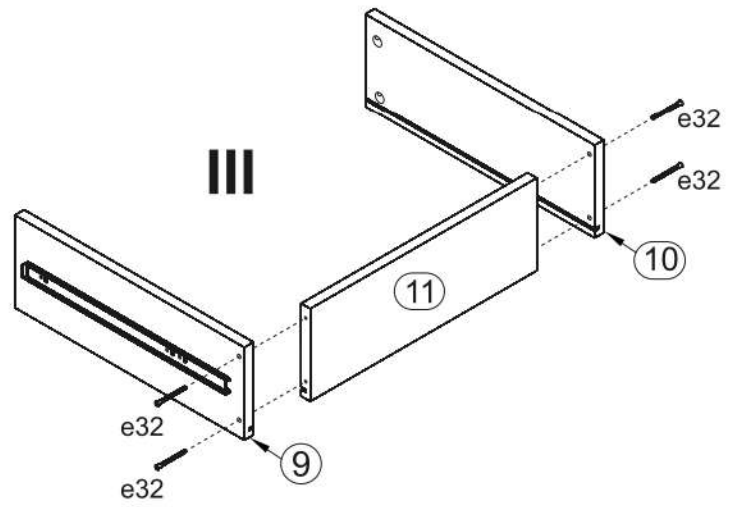
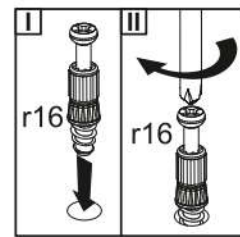
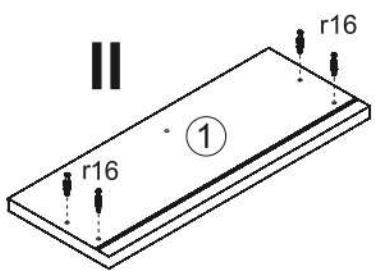
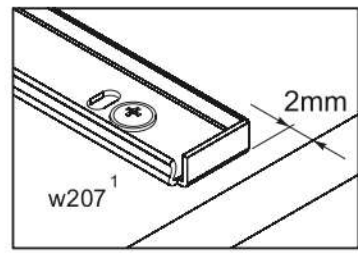
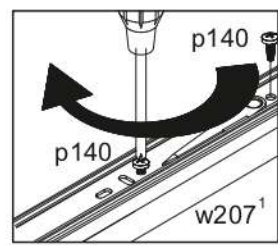
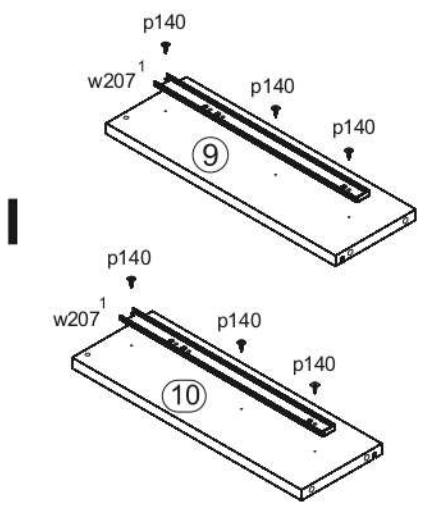
2



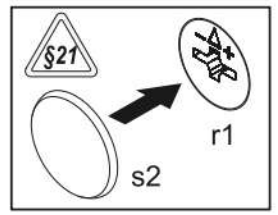
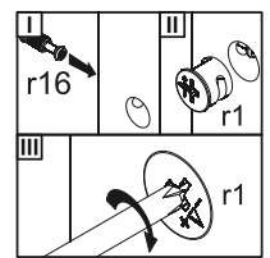
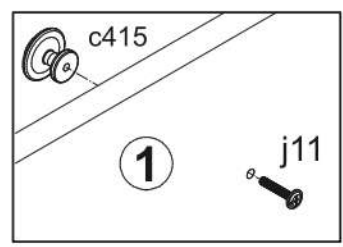
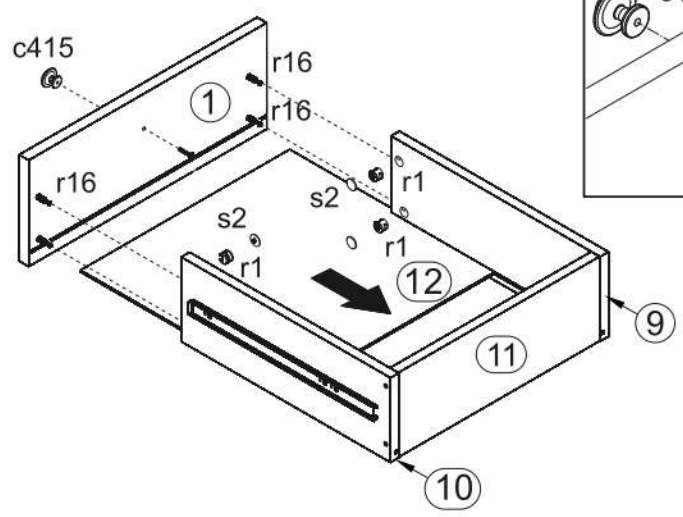
3



4



IV



5

